

Feed & Mounting Detail

F1 Mounting Type

Type:

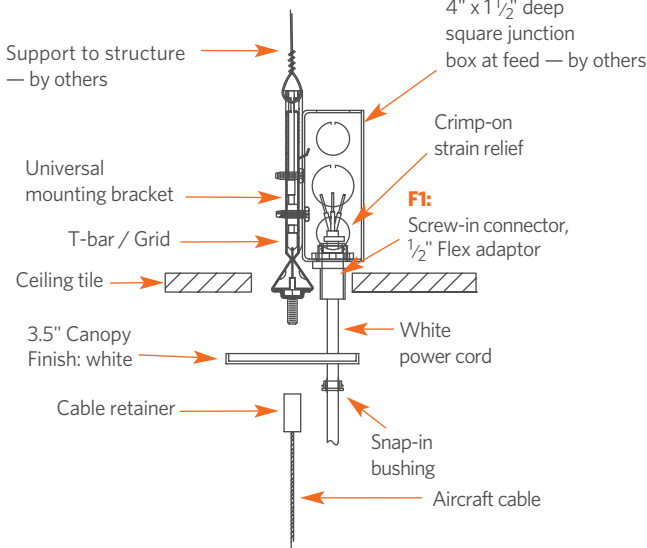
Project:

T-bar and Screw Slot Grid Ceilings: Aircraft Cable

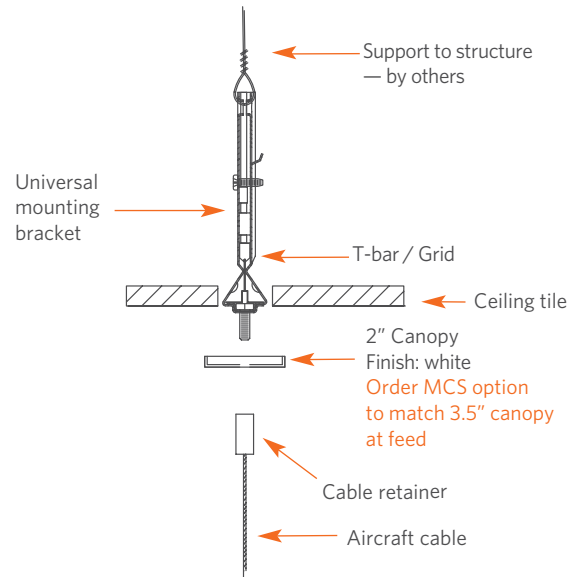
F1 for use with most T-bar and screw slot grid ceilings applications. Mounting designed for on-grid and off-grid installations.

F1 ON-GRID MOUNTING

Feed

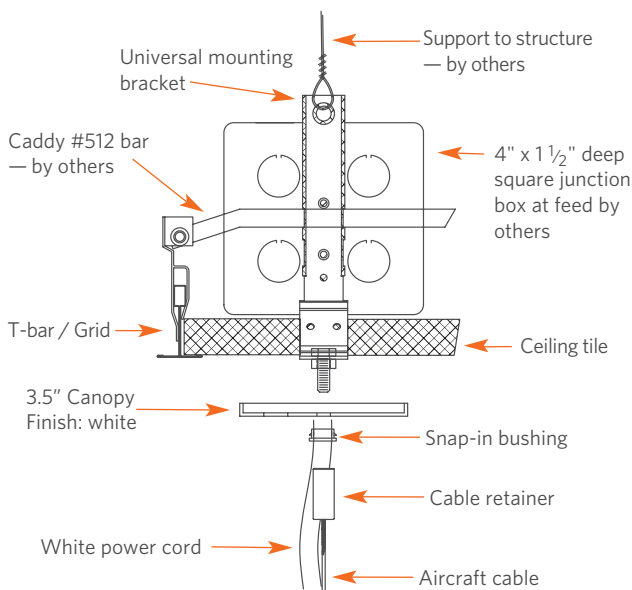


Support

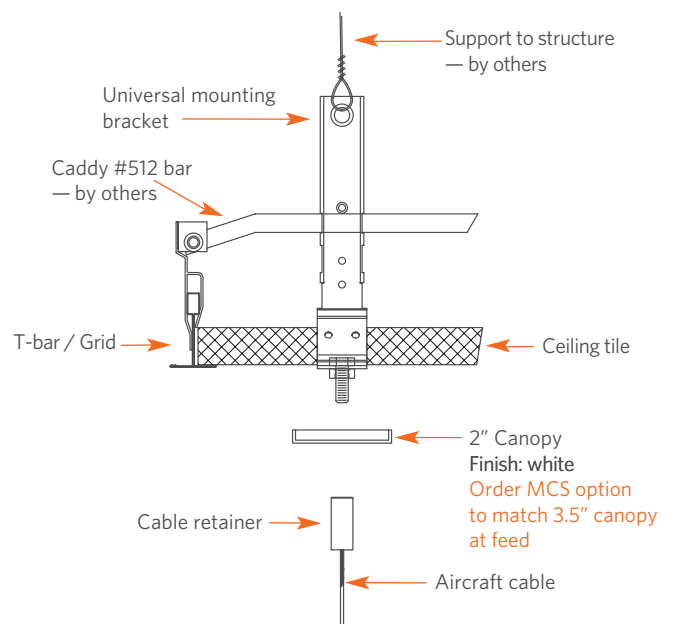


F1 OFF-GRID MOUNTING

Feed



Support



Feed & Mounting Detail

F1A Mounting Type

Type:

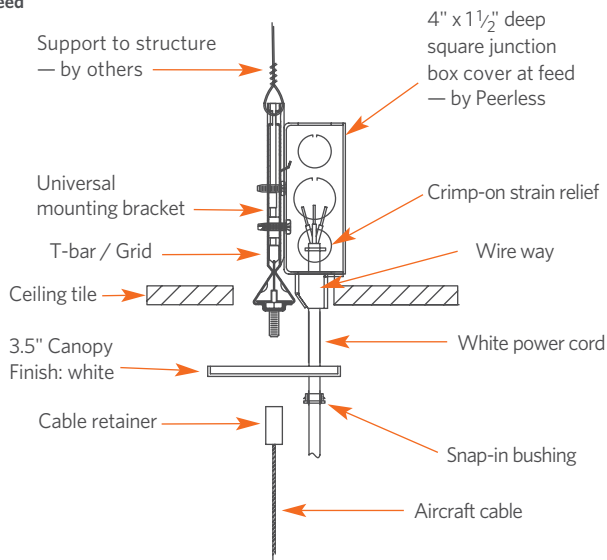
Project:

T-bar and Screw Slot Grid Ceilings: Aircraft Cable

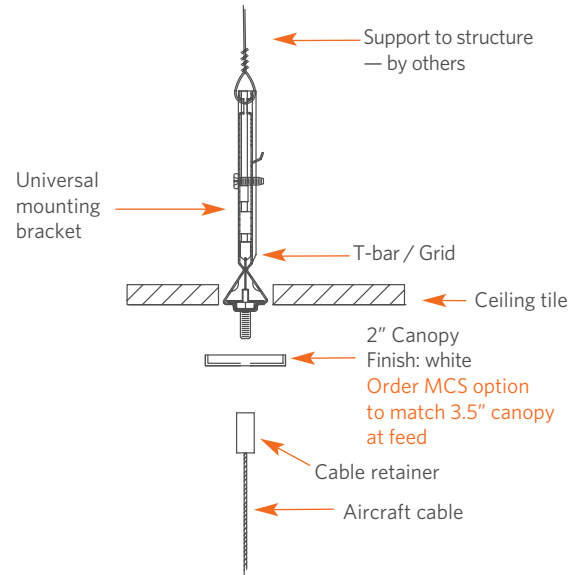
F1A for use with most T-bar and screw slot grid ceilings applications. Designed for on-grid and off-grid installations. F1A comes complete with vertical junction box with built-in wire way.

F1A ON-GRID MOUNTING

Feed

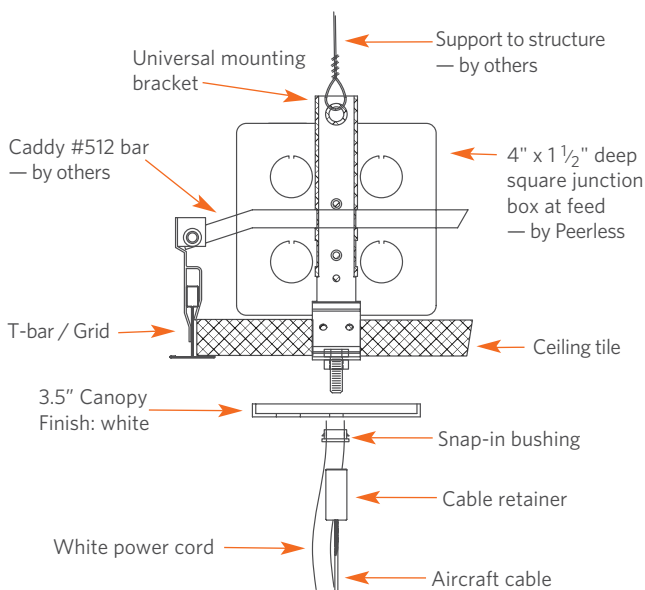


Support

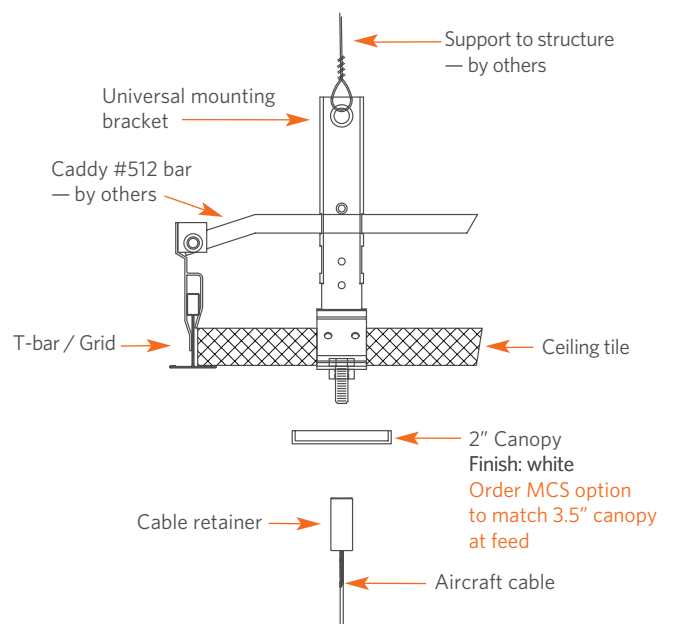


F1A OFF-GRID MOUNTING

Feed



Support



Feed & Mounting Detail

F2 Mounting Type

Type:

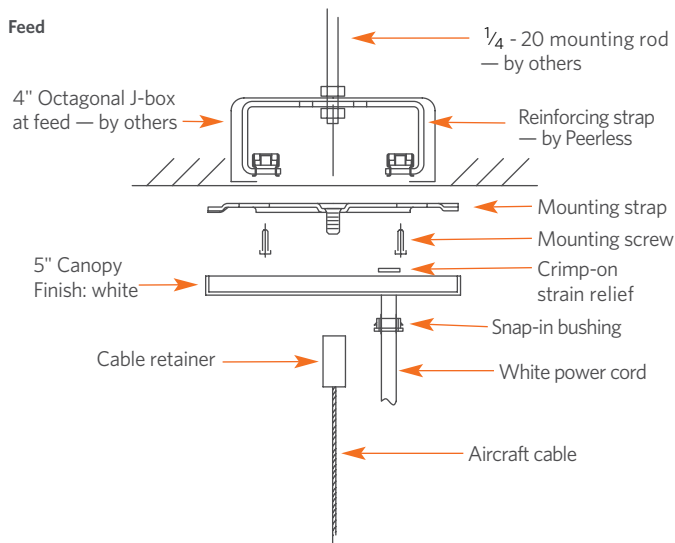
Project:

Horizontal J-Box Ceilings: Aircraft Cable

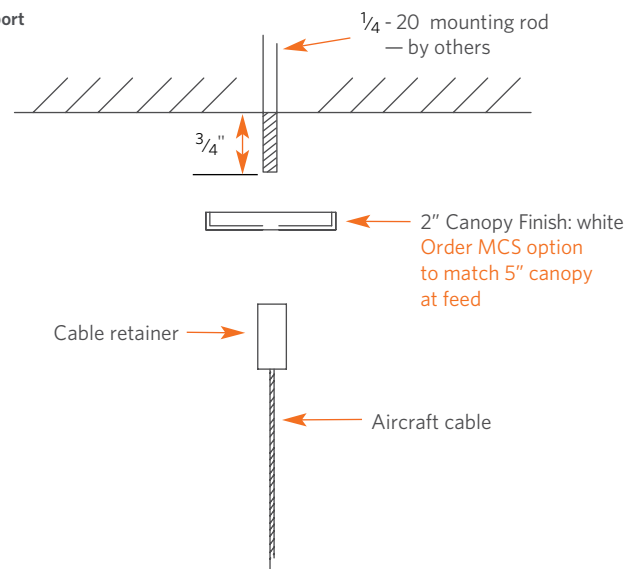
F2 for use with recessed or surface mount horizontal j-box applications.

F2 MOUNTING

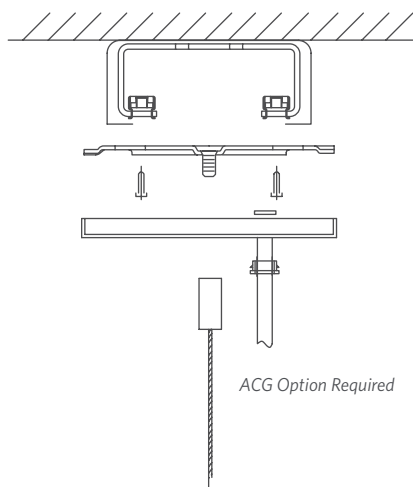
Feed



Support



Surface Mount



Feed & Mounting Detail

F3 Mounting Type

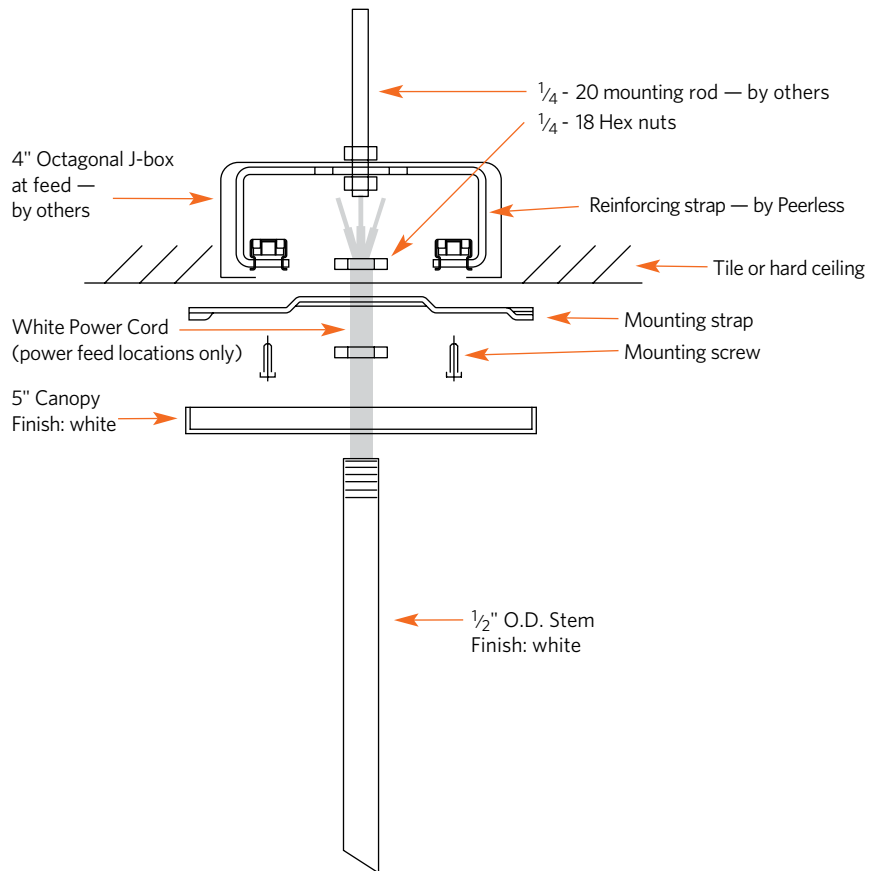
Type:

Project:

Horizontal J-Box Ceiling: Rigid Stem

F3 stem mounting for use with recessed or surface mount horizontal j-box applications.
 Check with local jurisdiction regarding rigid stem code requirements.

F3 FEED AND SUPPORT



Feed & Mounting Detail

F4A, B, C Mounting Type

Type:

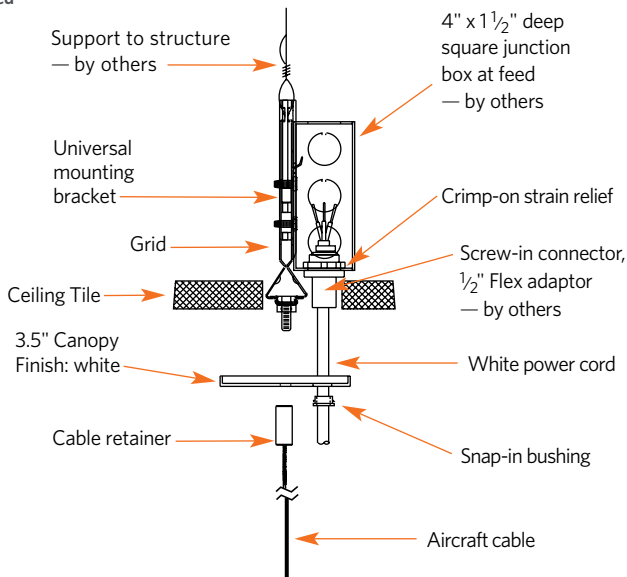
Project:

T-Bar & Screw Slot Grid Ceiling w/ IDS Clip at Supports: Air Craft Cable

F4A, B, C for use with most T-bar and screw slot grid ceilings applications. F4A includes IDS $1\frac{5}{16}$ " clip at supports. F4B includes IDS $9\frac{9}{16}$ " clip at supports. F4C includes IDS95 screw slot clip at supports.

F4A, F4B, F4C

Feed



Support

